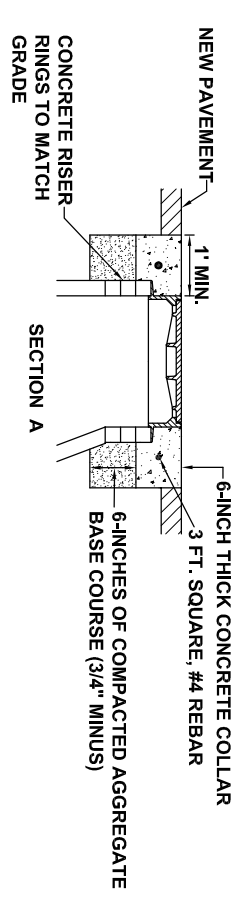
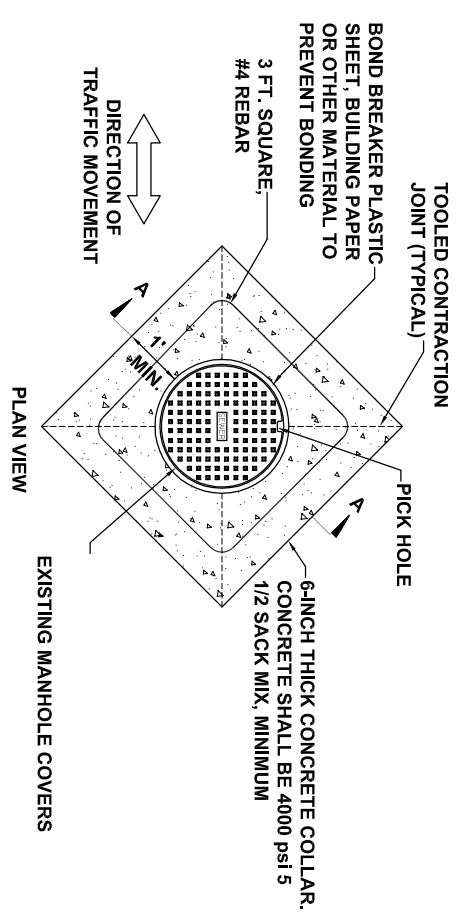
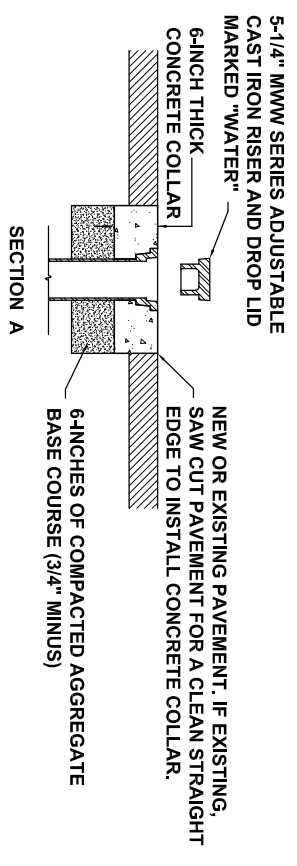
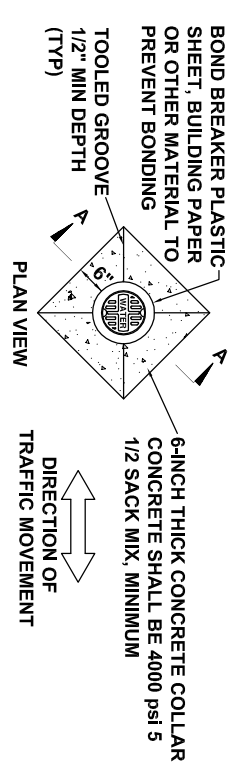


Know what's below.  
**Call 811** before you dig.  
 BLUE STAKES OF UTAH  
 UTILITY NOTIFICATION  
 CENTER OF UTAH

CALL BLUE STAKES OF UTAH  
 TWO WORKING DAYS  
 BEFORE YOU DIG  
 1-800-662-4111  
 UTILITY NOTIFICATION  
 CENTER OF UTAH



**CONCRETE MANHOLE COLLAR DETAIL**  
 N.T.S.



**CONCRETE VALVE COLLAR DETAIL**  
 N.T.S.

ACAD FILE: Typical Details.dwg

REVISIONS:

Drawn/Checked:  
 Drafted by:  
 DATE: 03 / 19 / 2011  
 PROJECT: MULBERRY GROVE

**MULBERRY GROVE  
 ADDENDUM DETAILS**



**Russell Planning & Engineering, Inc.**  
 Civil Engineering Services  
 934 Main Avenue, Unit C  
 Durango, Colorado 81301  
 Phone: (970) 385-4546  
 Fax: (970) 385-4502

**SHEET  
 EX-1**